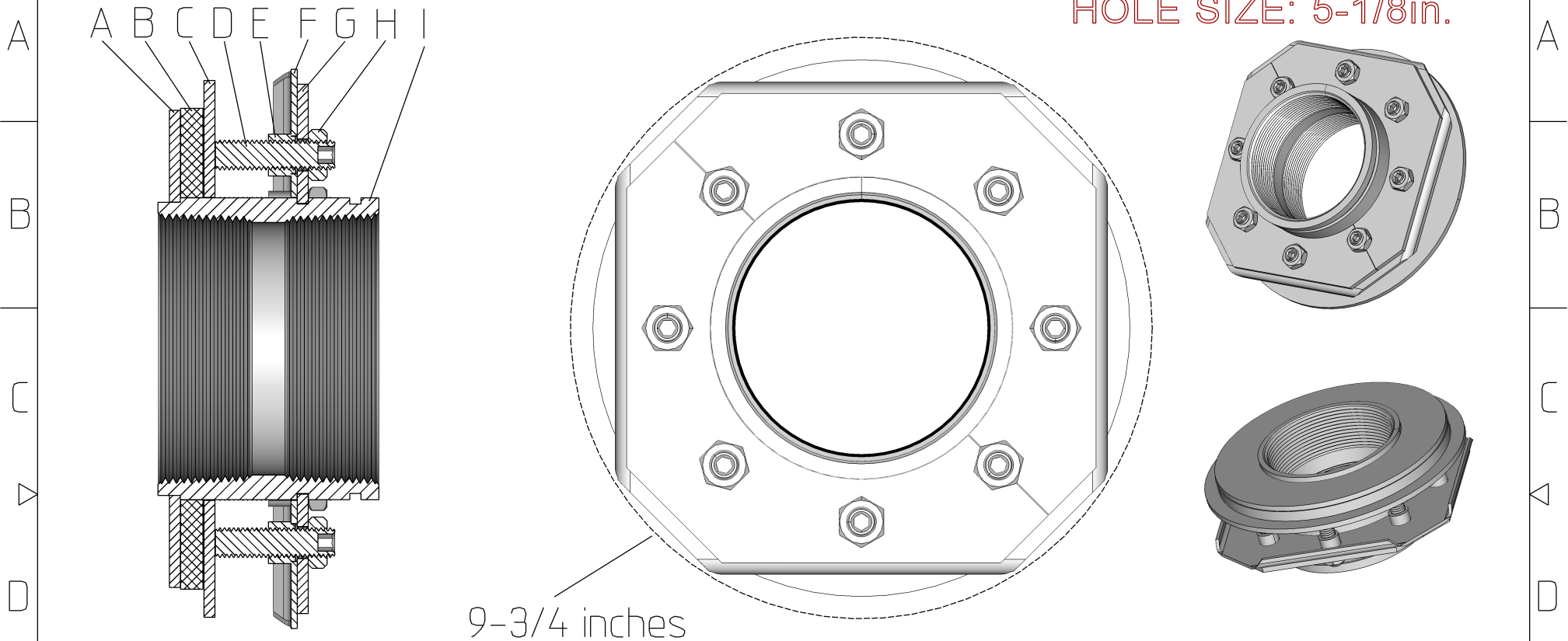


CONFIDENTIAL AND PROPRIETARY

WALL CAPACITY UP TO: 2in.
HOLE SIZE: 5-1/8in.



ITEM	QTY.	O.D.	DESCRIPTION	PART No.
A	1	8"	WELD PLATE	40108
B	1	--	GASKET	G-040
C	1	9"	BACKING PLATE	40118
D	4	--	1/2-13 SET SCREW	12200
E	4	--	PRESSURE PLATE NUT	ZT-12
F	1	9 3/4"	PRESSURE PLATE	40128
G	1	--	RETAINING PLATE	40138
H	4	--	1/2-13 JAM NUT	JN1200
I	1	5 1/8"	COUPLER	K-611-64

ASSEMBLY PART No.: 1030-040 SS

TANK FITTING TECHNOLOGIES

805 BROAD ST. SUITE 2
KLAMATH FALLS, OR 97601

TITLE: 4 INCH FULL COUPLING
FNPT X FNPT ASSEMBLY

DRAWN BY:
JLG

PATENT# 7527299