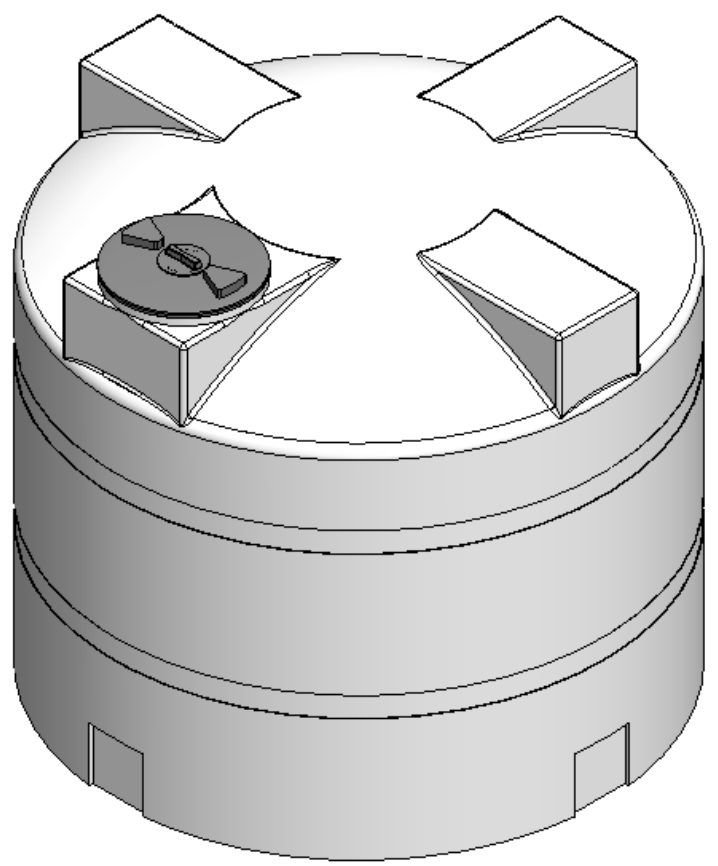
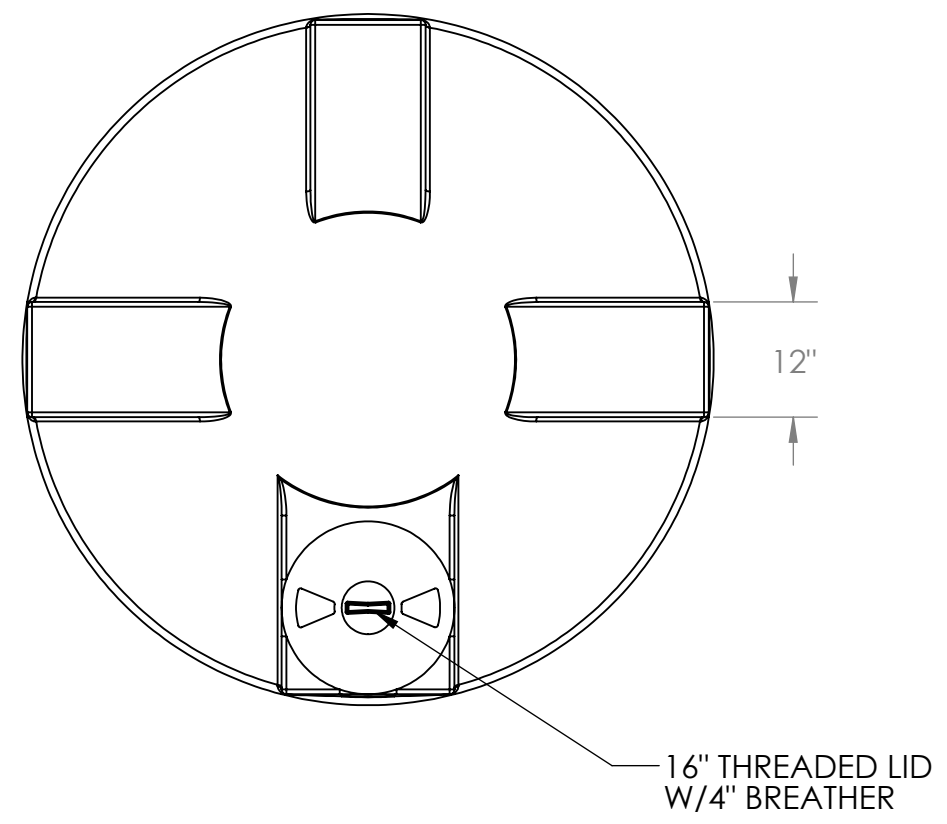


8 7 6 5 4 3 2 1

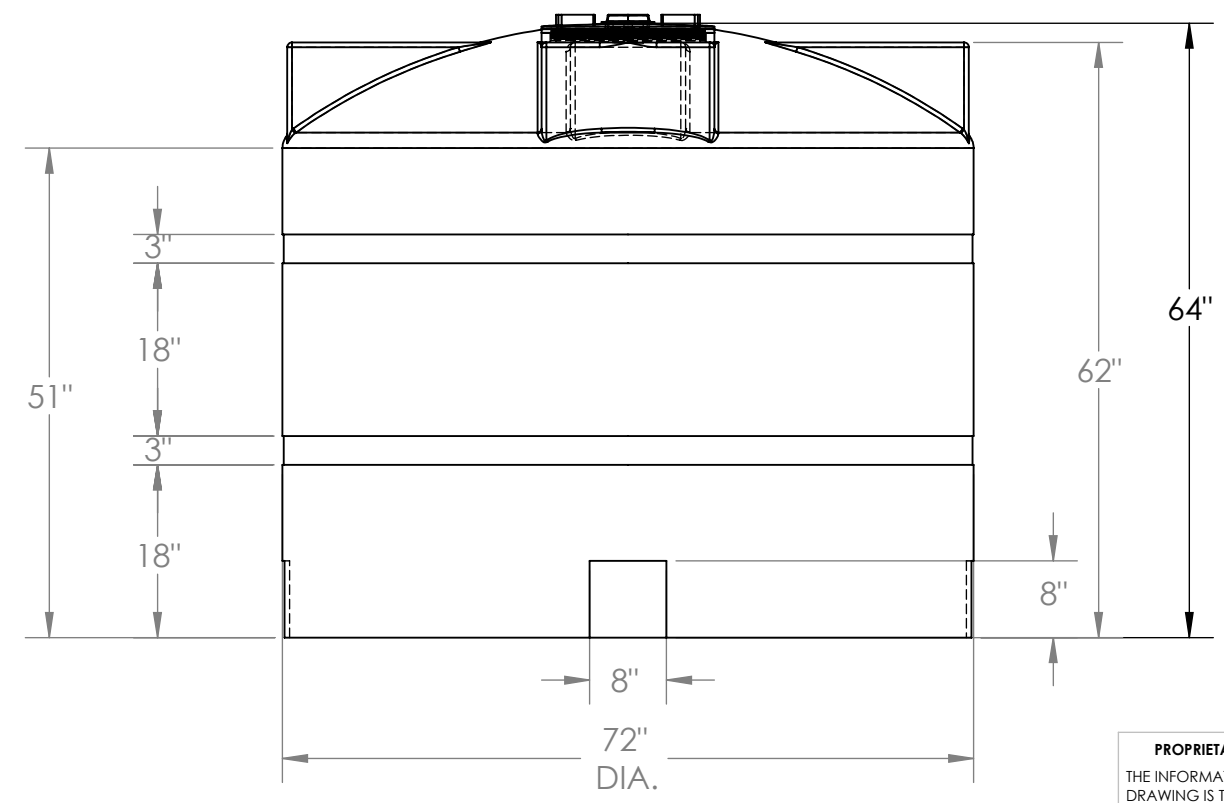
REVISIONS				
ZONE	REV.	DESCRIPTION	DATE	APPROVED
B-2	A	WEIGHT CHANGE	3-3-2010	EBW

D  
C  
B  
A



NOTES:

1. MATERIAL: POLYETHYLENE
2. WEIGHT: 160 LBS. STD. RATED 1.5 S.G.  
212 LBS. HD. RATED 2.0 S.G.



**PROPRIETARY AND CONFIDENTIAL**  
 THE INFORMATION CONTAINED IN THIS DRAWING IS THE SOLE PROPERTY OF <INSERT COMPANY NAME HERE>. ANY REPRODUCTION IN PART OR AS A WHOLE WITHOUT THE WRITTEN PERMISSION OF <INSERT COMPANY NAME HERE> IS PROHIBITED.

		UNLESS OTHERWISE SPECIFIED:		NAME	DATE	TANK FITTING TECHNOLOGIES
		DIMENSIONS ARE IN INCHES TOLERANCES: FRACTIONAL ± ANGULAR: MACH ± BEND ± TWO PLACE DECIMAL ± THREE PLACE DECIMAL ±		DRAWN	EBW	
		INTERPRET GEOMETRIC TOLERANCING PER:		CHECKED		TITLE: <b>1000 GALLON VERTICAL TANK</b>
		MATERIAL		ENG APPR.		
		FINISH		MFG APPR.		SIZE DWG. NO. REV
NEXT ASSY	USED ON	APPLICATION		COMMENTS:		<b>B</b>
		DO NOT SCALE DRAWING				A
				SCALE: 1:50 WEIGHT:		SHEET 1 OF 1

8 7 6 5 4 3 2 1