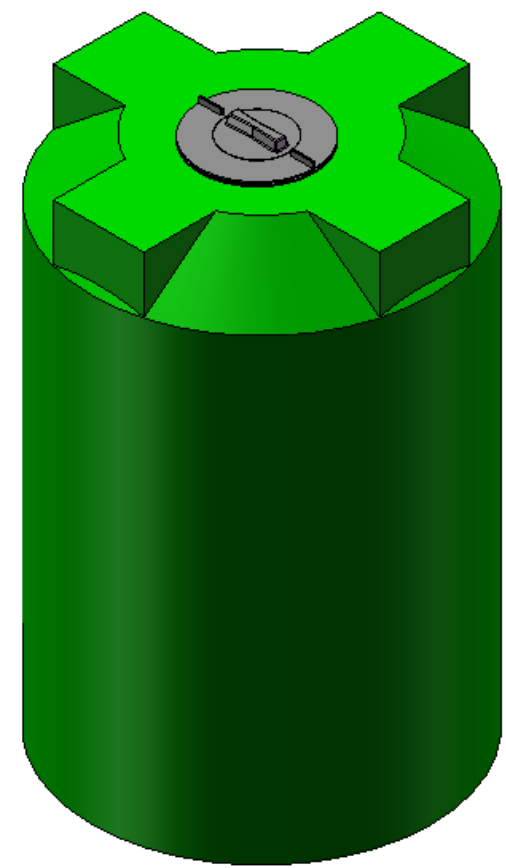
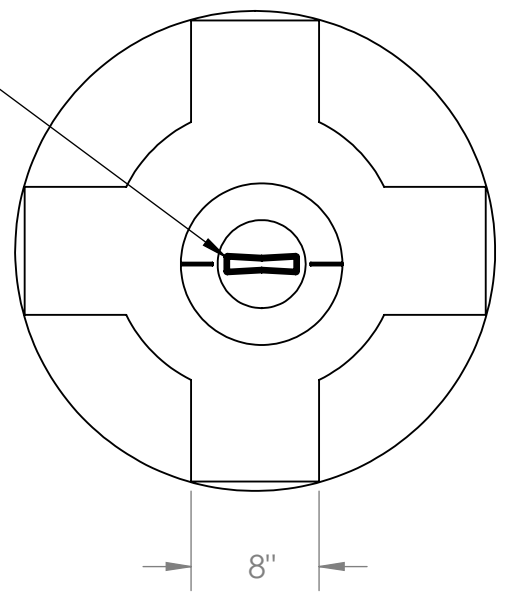


8 7 6 5 4 3 2 1

D  
C  
B  
A

D  
C  
B  
A

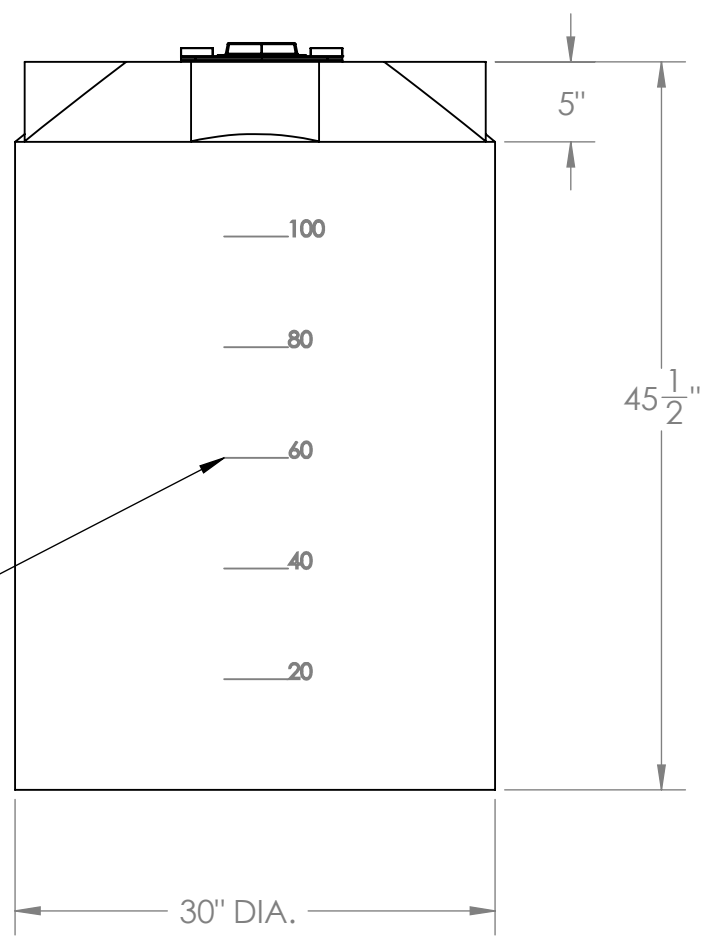
8" THREADED LID  
W/ 4" BREATHER



NOTES:

1. MATERIAL: POLYETHYLENE.
2. WEIGHT: 35 LBS

APPROX.  
GALLON MARKERS



**PROPRIETARY AND CONFIDENTIAL**  
THE INFORMATION CONTAINED IN THIS DRAWING IS THE SOLE PROPERTY OF <INSERT COMPANY NAME HERE>. ANY REPRODUCTION IN PART OR AS A WHOLE WITHOUT THE WRITTEN PERMISSION OF <INSERT COMPANY NAME HERE> IS PROHIBITED.

		UNLESS OTHERWISE SPECIFIED:		NAME	DATE	TANK FITTING TECHNOLOGIES	
		DIMENSIONS ARE IN INCHES		DRAWN	EBW	08/13/08	TITLE: <b>130 GALLON VERTICAL TANK W/ 8" LID</b>
		TOLERANCES:		CHECKED			
		FRACTIONAL ±		ENG APPR.			
		ANGULAR: MACH ± BEND ±		MFG APPR.			
		TWO PLACE DECIMAL ±		Q.A.			SIZE DWG. NO. REV
		THREE PLACE DECIMAL ±		COMMENTS:			<b>B</b> 130 VT
		INTERPRET GEOMETRIC TOLERANCING PER:					SCALE: 1:16 WEIGHT: SHEET 1 OF 1
		MATERIAL					
NEXT ASSY	USED ON	FINISH					
APPLICATION		DO NOT SCALE DRAWING					

8 7 6 5 4 3 2 1