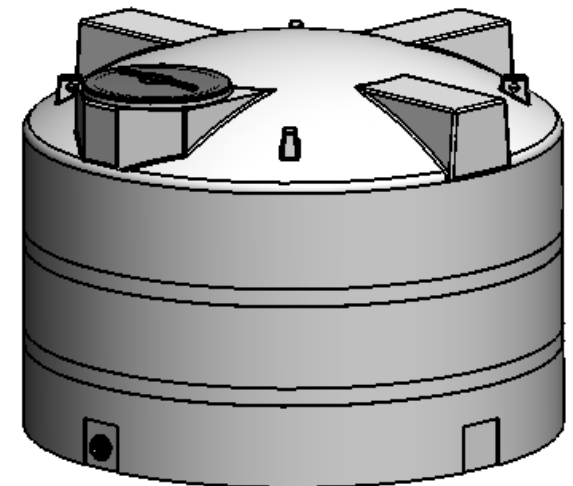
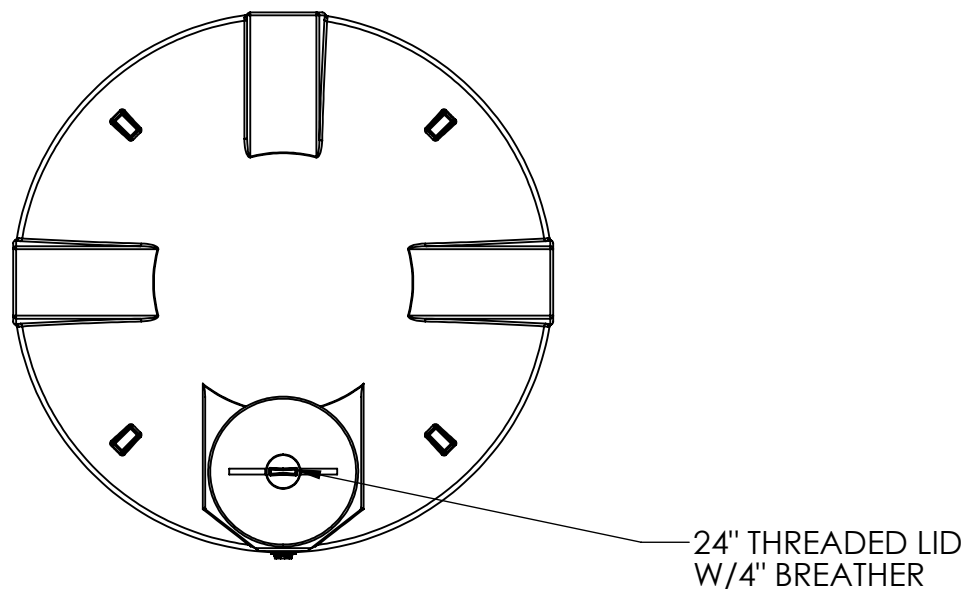
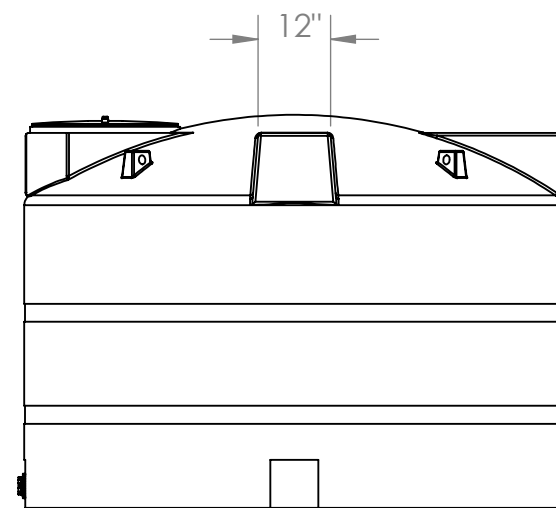
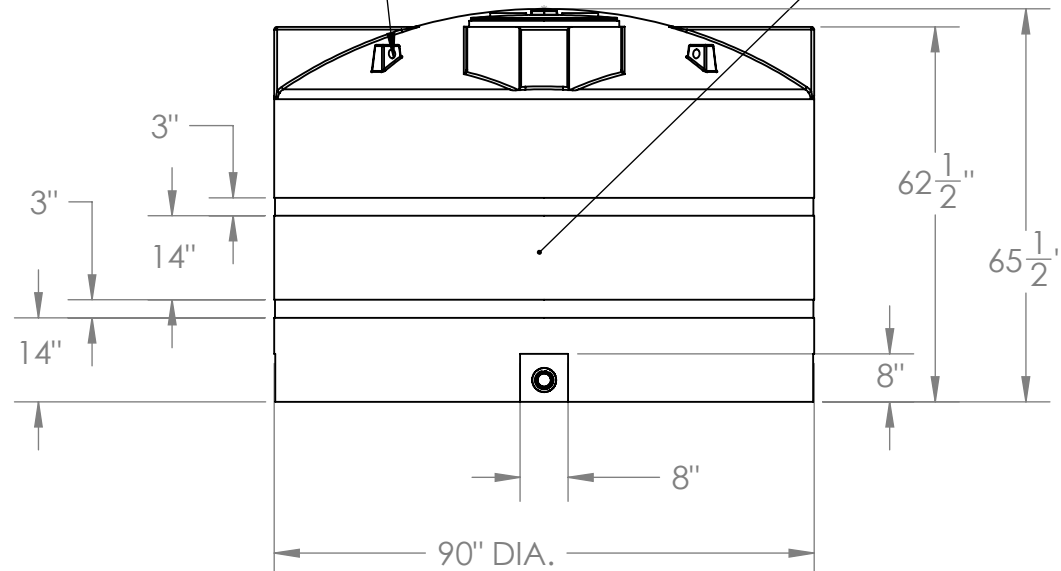


8 7 6 5 4 3 2 1

REVISIONS				
ZONE	REV.	DESCRIPTION	DATE	APPROVED
B-2	A	WEIGHT CHANGE	3-3-2010	EBW



1 1/2" LIFTING EYE (4) PLCS.
APPROX GALLON MARKINGS



NOTES:

- MATERIAL: POLYETHYLENE
- WEIGHT: 240 LBS STD. RATED 1.5 SG.
340 LBS HD. RATED 1.9 SG.

PROPRIETARY AND CONFIDENTIAL
THE INFORMATION CONTAINED IN THIS DRAWING IS THE SOLE PROPERTY OF <INSERT COMPANY NAME HERE>. ANY REPRODUCTION IN PART OR AS A WHOLE WITHOUT THE WRITTEN PERMISSION OF <INSERT COMPANY NAME HERE> IS PROHIBITED.

		UNLESS OTHERWISE SPECIFIED:		NAME	DATE	TANK FITTING TECHNOLOGIES	
		DIMENSIONS ARE IN INCHES		DRAWN	EBW		11-11-08
		TOLERANCES:		CHECKED			
		FRACTIONAL ±		ENG APPR.			
		ANGULAR: MACH ± BEND ±		MFG APPR.			
		TWO PLACE DECIMAL ±		Q.A.			
		THREE PLACE DECIMAL ±		COMMENTS:			
		INTERPRET GEOMETRIC TOLERANCING PER:					
		MATERIAL					
		FINISH					
NEXT ASSY	USED ON					TITLE:	
APPLICATION		DO NOT SCALE DRAWING				1600 GALLON TANK W 24" LID	
		SIZE	DWG. NO.	REV			
		B	1600 VT.	A			
		SCALE: 1:32	WEIGHT:			SHEET 1 OF 1	

8 7 6 5 4 3 2 1