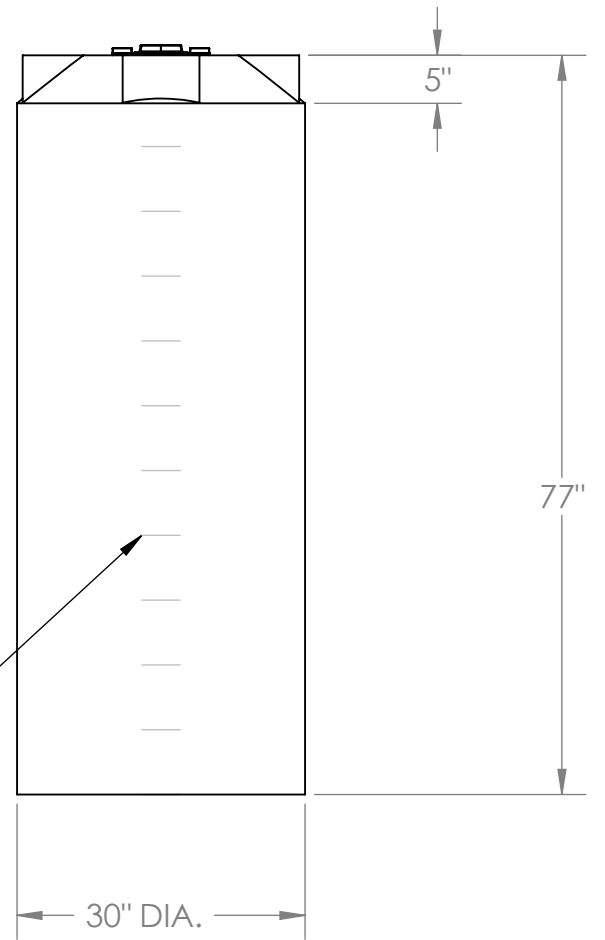
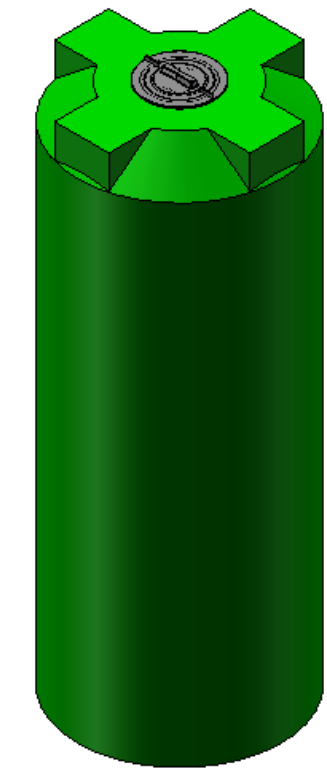
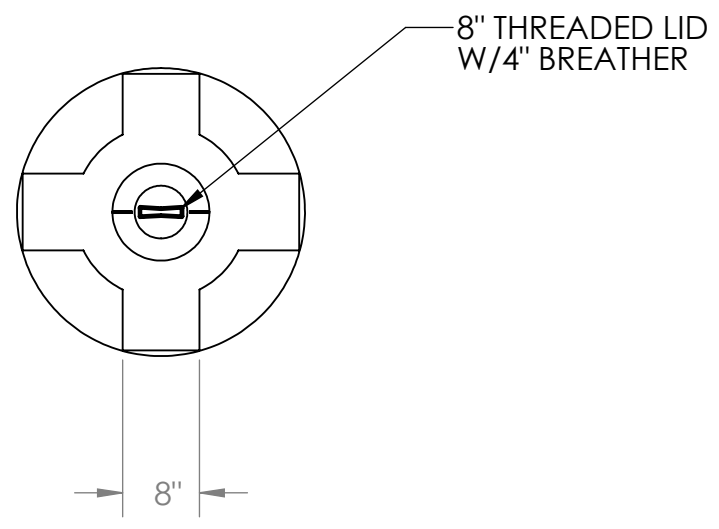


8 7 6 5 4 3 2 1

D  
C  
B  
A

D  
C  
B  
A



APPROX.  
GALLON MARKERS

NOTES:

1. MATERIAL: POLYETHYLENE
2. WEIGHT: 65 LBS.

**PROPRIETARY AND CONFIDENTIAL**  
THE INFORMATION CONTAINED IN THIS DRAWING IS THE SOLE PROPERTY OF <INSERT COMPANY NAME HERE>. ANY REPRODUCTION IN PART OR AS A WHOLE WITHOUT THE WRITTEN PERMISSION OF <INSERT COMPANY NAME HERE> IS PROHIBITED.

		UNLESS OTHERWISE SPECIFIED:		NAME	DATE	TANK FITTING TECHNOLOGIES	
		DIMENSIONS ARE IN INCHES		DRAWN	EBW		12/12/08
		TOLERANCES:		CHECKED			
		FRACTIONAL ±		ENG APPR.			
		ANGULAR: MACH ± BEND ±		MFG APPR.			
		TWO PLACE DECIMAL ±		Q.A.			
		THREE PLACE DECIMAL ±		COMMENTS:			
		INTERPRET GEOMETRIC TOLERANCING PER:				TITLE: 230 GALLON VERTICAL TANK W/ 8" LID	
		MATERIAL				SIZE DWG. NO. REV	
		FINISH				<b>B</b> 230 VT	
NEXT ASSY	USED ON	APPLICATION				SCALE: 1:20 WEIGHT: SHEET 1 OF 1	
		DO NOT SCALE DRAWING					

8 7 6 5 4 3 2 1