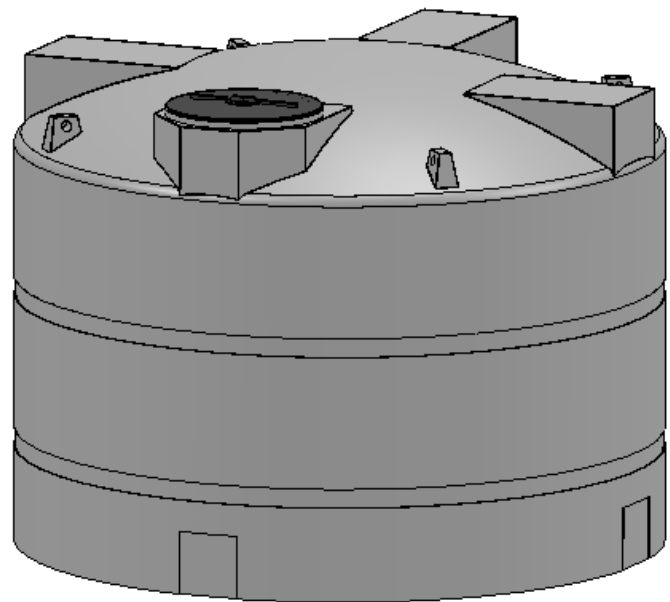
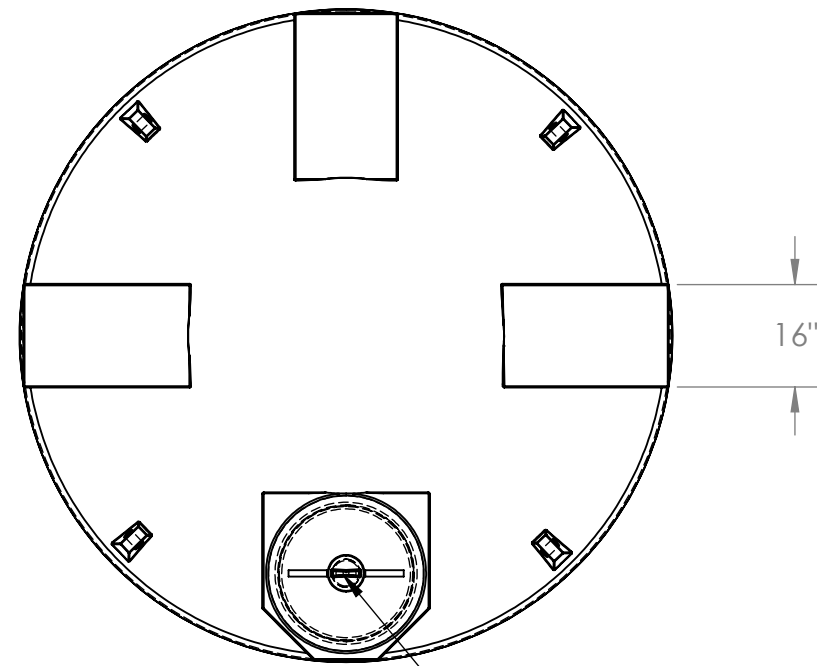


8 7 6 5 4 3 2 1

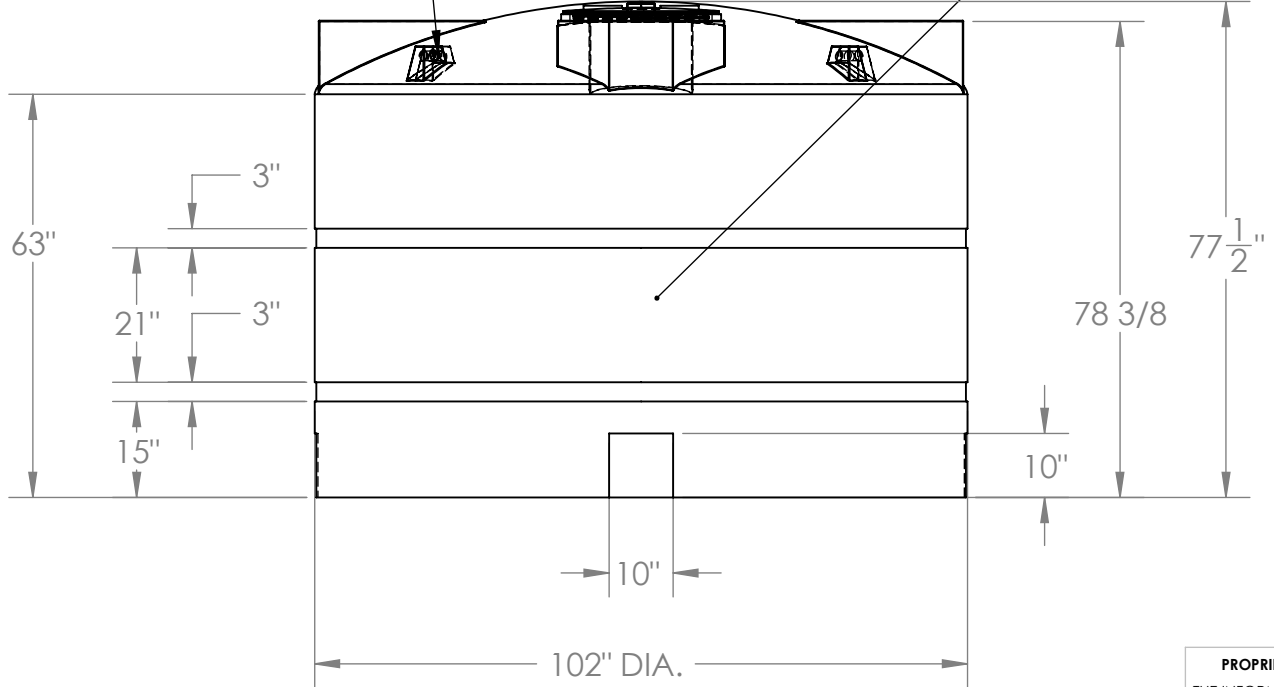
REVISIONS				
ZONE	REV.	DESCRIPTION	DATE	APPROVED
B-2	A	WEIGHT CHANGE	3-3-2010	EBW



1 1/2" LIFTING EYE  
(4) PLCS.

24" THREADED LID  
W/4" BREATHER

APPROX  
GALLON MARKERS



NOTES:

- MATERIAL: POLYETHYLENE
- WEIGHT: STD. RATED 1.5 S.G. 475 LBS  
HD. RATED 2.0 S.G. 635 LBS

**PROPRIETARY AND CONFIDENTIAL**  
THE INFORMATION CONTAINED IN THIS DRAWING IS THE SOLE PROPERTY OF <INSERT COMPANY NAME HERE>. ANY REPRODUCTION IN PART OR AS A WHOLE WITHOUT THE WRITTEN PERMISSION OF <INSERT COMPANY NAME HERE> IS PROHIBITED.

UNLESS OTHERWISE SPECIFIED:		NAME	DATE	TANK FITTING TECHNOLOGIES	
DIMENSIONS ARE IN INCHES		EBW	6/3/09	TITLE:	
TOLERANCES:				2400 GALLON VERTICAL TANK	
FRACTIONAL ±				SIZE	
ANGULAR: MACH ± BEND ±				DWG. NO.	
TWO PLACE DECIMAL ±				2400 VT	
THREE PLACE DECIMAL ±				REV	
INTERPRET GEOMETRIC TOLERANCING PER:				A	
MATERIAL				SCALE: 1:50 WEIGHT:	
FINISH				SHEET 1 OF 1	
NEXT ASSY	USED ON			DO NOT SCALE DRAWING	
APPLICATION					

8 7 6 5 4 3 2 1