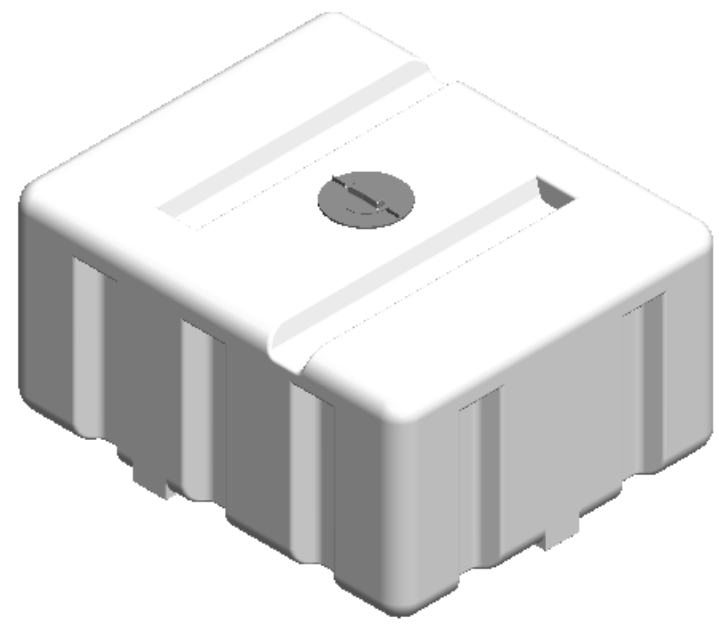
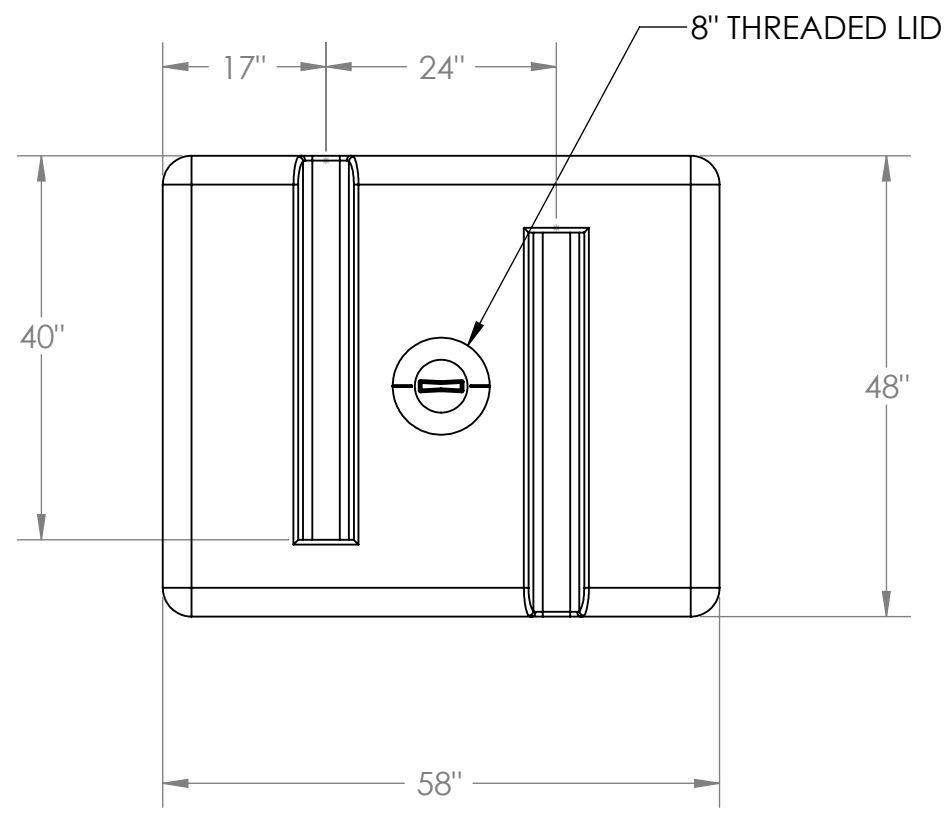


8 7 6 5 4 3 2 1

D

D

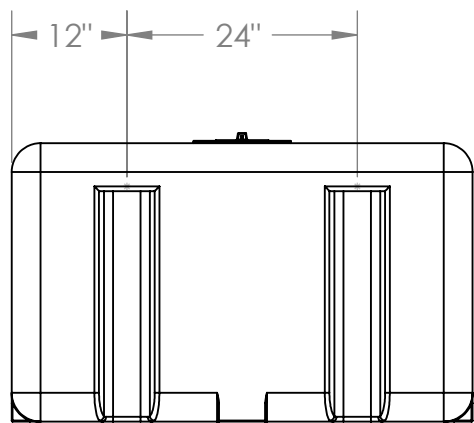
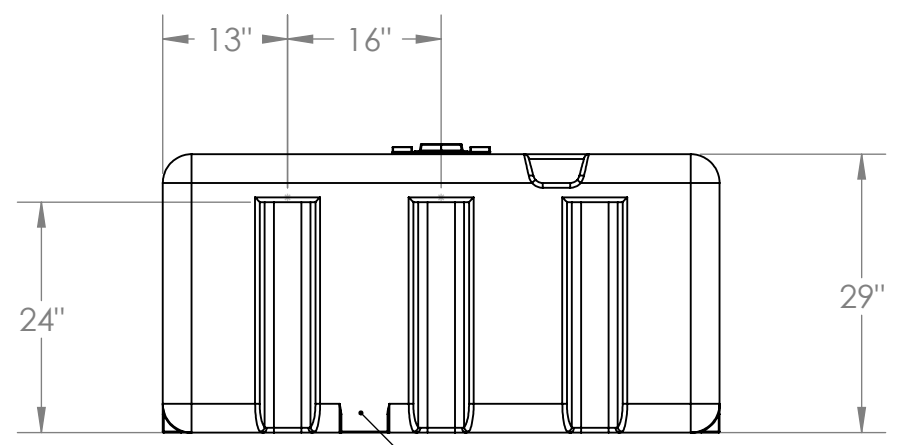


C

C

B

B



FITTING LOCATIONS  
(4) PLCS.

NOTES:

1. MATERIAL: POLYETHYLENE
2. CAPACITY: 300 GALLONS
3. WEIGHT: 110 LBS.

A

A

**PROPRIETARY AND CONFIDENTIAL**  
THE INFORMATION CONTAINED IN THIS DRAWING IS THE SOLE PROPERTY OF <INSERT COMPANY NAME HERE>. ANY REPRODUCTION IN PART OR AS A WHOLE WITHOUT THE WRITTEN PERMISSION OF <INSERT COMPANY NAME HERE> IS PROHIBITED.

		UNLESS OTHERWISE SPECIFIED:		NAME	DATE	TANK FITTING TECHNOLOGIES TITLE: <b>300 GALLON RECTANGULAR TANK</b>
		DIMENSIONS ARE IN INCHES TOLERANCES: FRACTIONAL ± ANGULAR: MACH ± BEND ± TWO PLACE DECIMAL ± THREE PLACE DECIMAL ±		DRAWN	EBW 11-24-09	
		INTERPRET GEOMETRIC TOLERANCING PER:		CHECKED		
		MATERIAL		ENG APPR.		
		FINISH		MFG APPR.		
NEXT ASSY	USED ON			Q.A.		SIZE
APPLICATION		DO NOT SCALE DRAWING		COMMENTS:		DWG. NO.
						<b>B</b>
						300 RT
						REV
						SCALE: 1:20
						WEIGHT:
						SHEET 1 OF 1

8 7 6 5 4 3 2 1