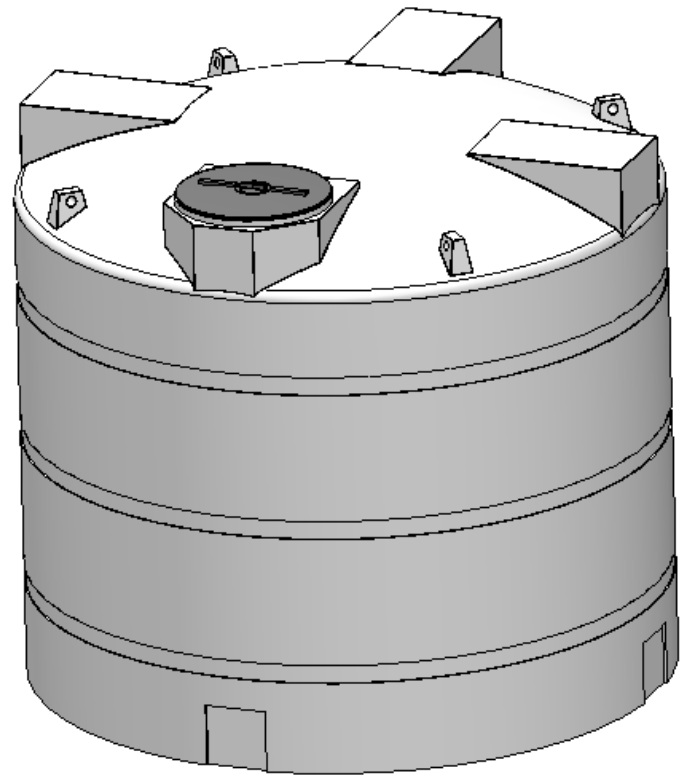
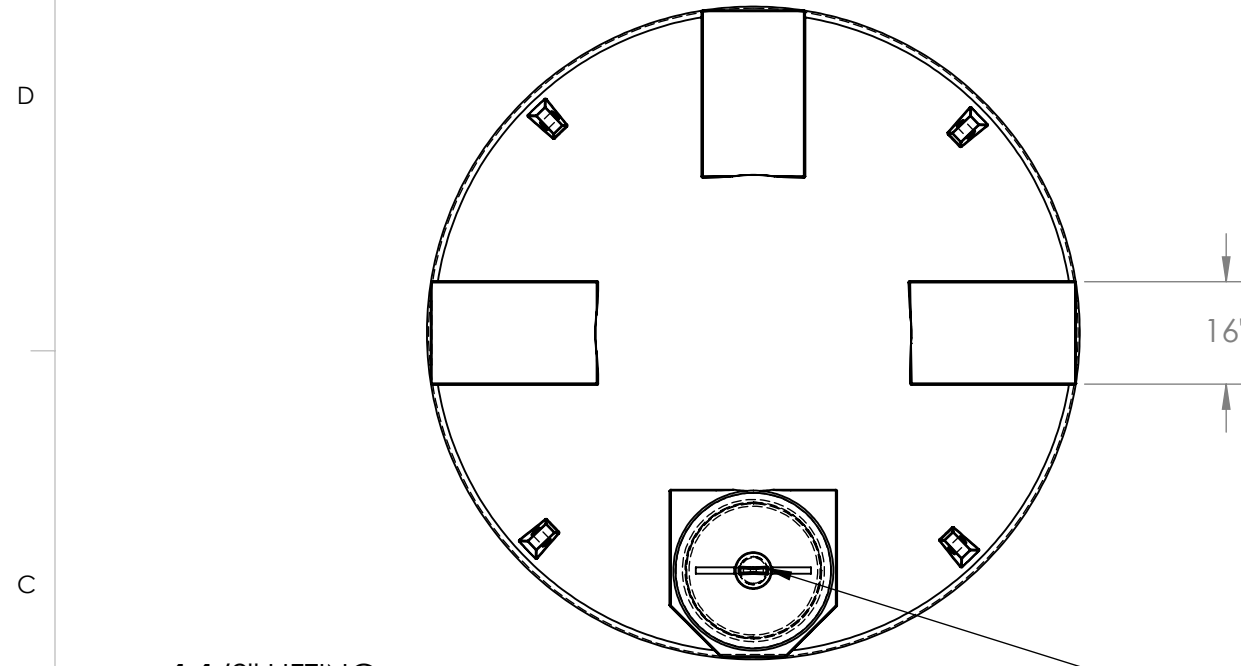


8 7 6 5 4 3 2 1

REVISIONS				
ZONE	REV.	DESCRIPTION	DATE	APPROVED
2-B	A	WEIGHT CHANGE	3-3-2010	EBW



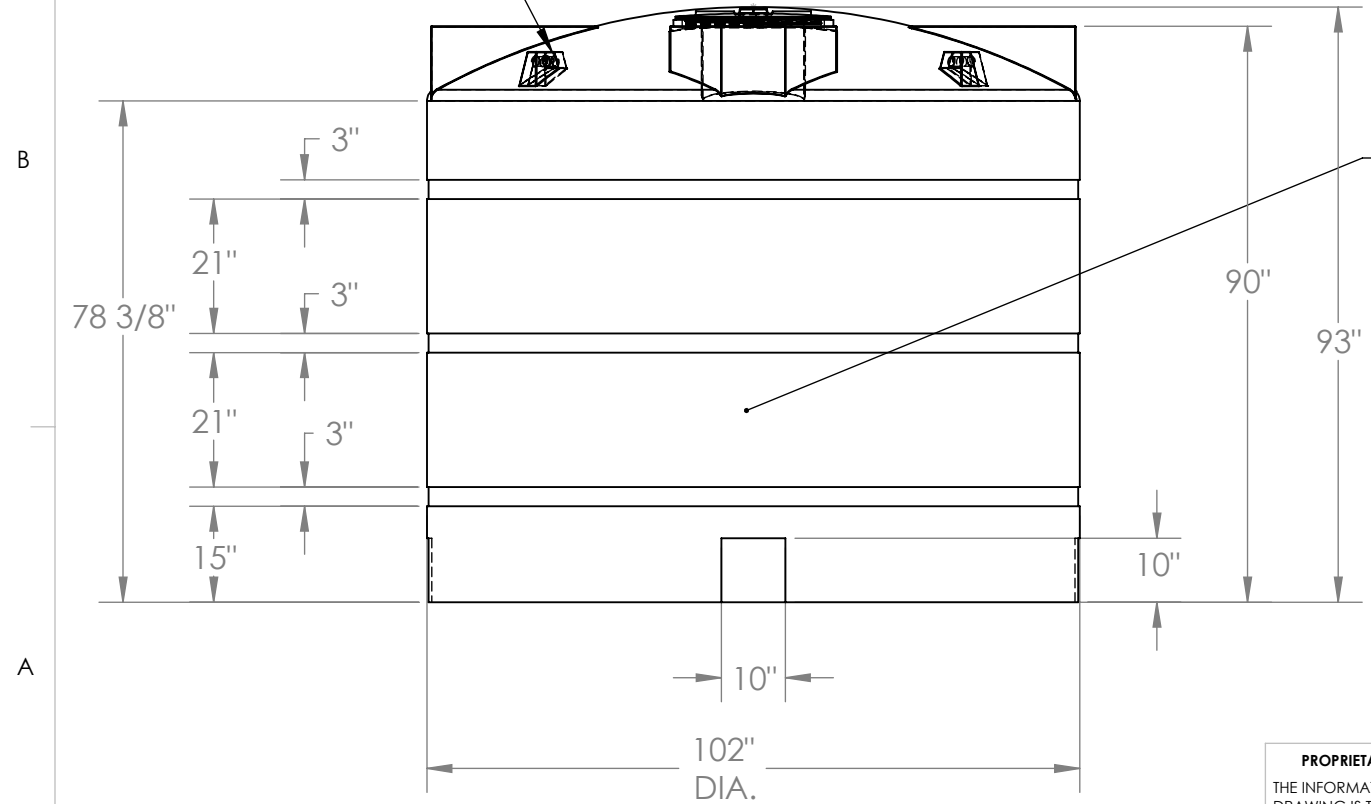
1 1/2" LIFTING EYE (4) PLCS.

24" THREADED LID W/4" BREATHER

APPROX. GALLON MARKERS

NOTES:

- MATERIAL: POLYETHYLENE
- WEIGHT: 650 LBS STD. RATED 1.5 SG.  
850 LBS HD. RATED 2.0 SG.



**PROPRIETARY AND CONFIDENTIAL**  
THE INFORMATION CONTAINED IN THIS DRAWING IS THE SOLE PROPERTY OF <INSERT COMPANY NAME HERE>. ANY REPRODUCTION IN PART OR AS A WHOLE WITHOUT THE WRITTEN PERMISSION OF <INSERT COMPANY NAME HERE> IS PROHIBITED.

		UNLESS OTHERWISE SPECIFIED:		NAME	DATE	TANK FITTING TECHNOLOGIES	
		DIMENSIONS ARE IN INCHES		DRAWN	EBW	5-29-09	
		TOLERANCES:		CHECKED			TITLE:
		FRACTIONAL ±		ENG APPR.			<b>3000 GALLON VERTICAL TANK</b>
		ANGULAR: MACH ± BEND ±		MFG APPR.			SIZE
		TWO PLACE DECIMAL ±		Q.A.			DWG. NO.
		THREE PLACE DECIMAL ±		COMMENTS:			<b>B 3000 VT</b>
		INTERPRET GEOMETRIC TOLERANCING PER:					REV
		MATERIAL					<b>A</b>
NEXT ASSY	USED ON	FINISH					SCALE: 1:50
APPLICATION		DO NOT SCALE DRAWING					WEIGHT:
							SHEET 1 OF 1

8 7 6 5 4 3 2 1