

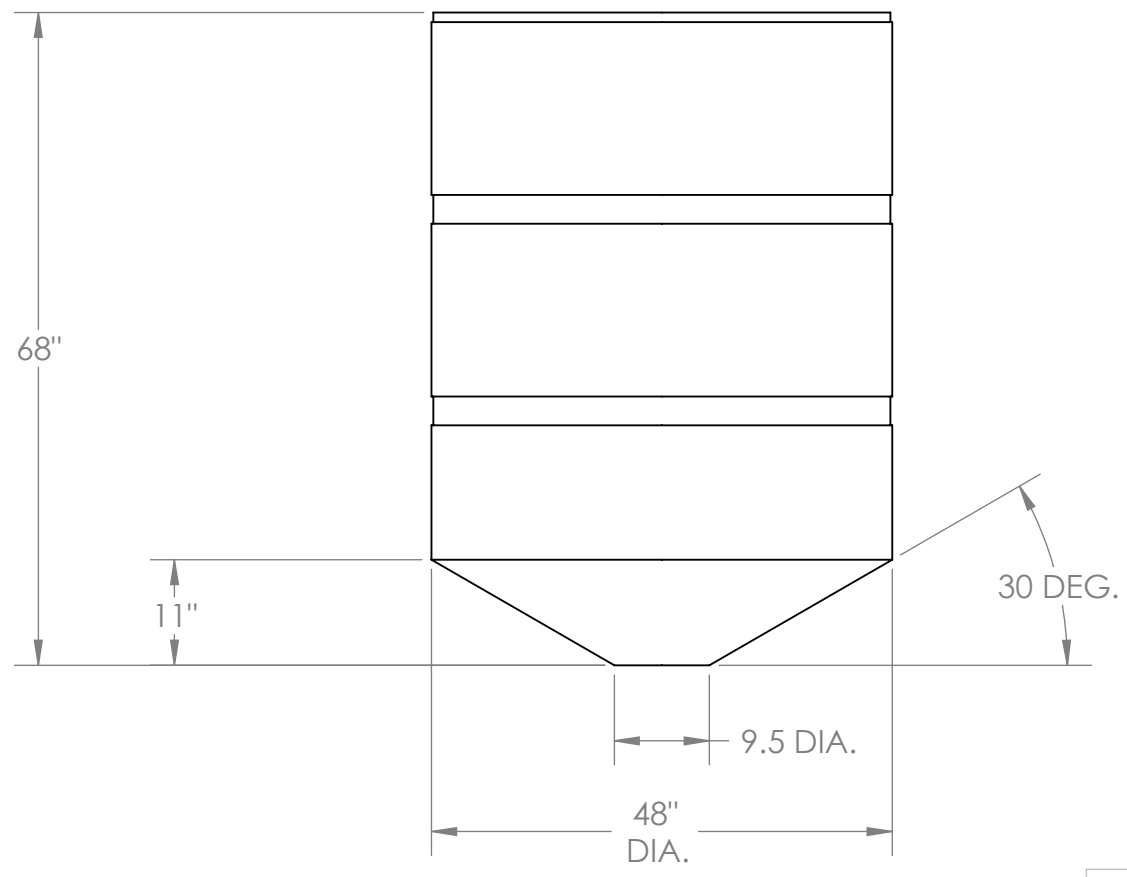
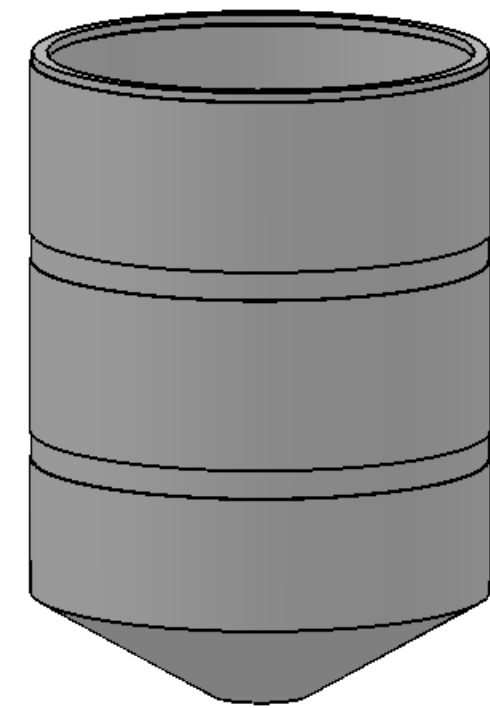
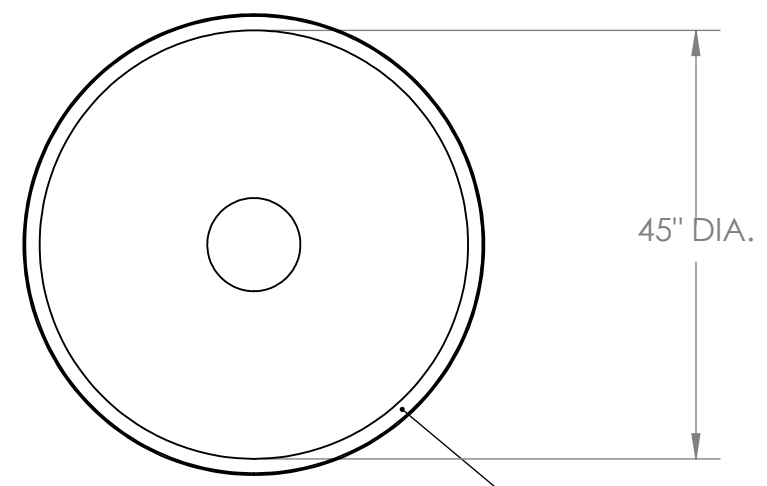
8 7 6 5 4 3 2 1

D

C

B

A



NOTES:

1. MATERIAL: POLYETHYLENE
2. WEIGHT: MOLDED 160 LBS.

**PROPRIETARY AND CONFIDENTIAL**  
 THE INFORMATION CONTAINED IN THIS DRAWING IS THE SOLE PROPERTY OF <INSERT COMPANY NAME HERE>. ANY REPRODUCTION IN PART OR AS A WHOLE WITHOUT THE WRITTEN PERMISSION OF <INSERT COMPANY NAME HERE> IS PROHIBITED.

		UNLESS OTHERWISE SPECIFIED:	NAME	DATE	TANK FITTING TECHNOLOGIES	
		DIMENSIONS ARE IN INCHES	DRAWN	EBW	11-19-08	TITLE:  <b>450 GALLON OPEN TOP CONE TANK</b>
		TOLERANCES:	CHECKED			
		FRACTIONAL ±	ENG APPR.			
		ANGULAR: MACH ± BEND ±	MFG APPR.			
		TWO PLACE DECIMAL ±	Q.A.			SIZE DWG. NO. REV
		THREE PLACE DECIMAL ±	COMMENTS:			<b>B 450 OTCB</b>
NEXT ASSY	USED ON	MATERIAL				SCALE: 1:20 WEIGHT: SHEET 1 OF 1
APPLICATION		FINISH				
		DO NOT SCALE DRAWING				

8 7 6 5 4 3 2 1