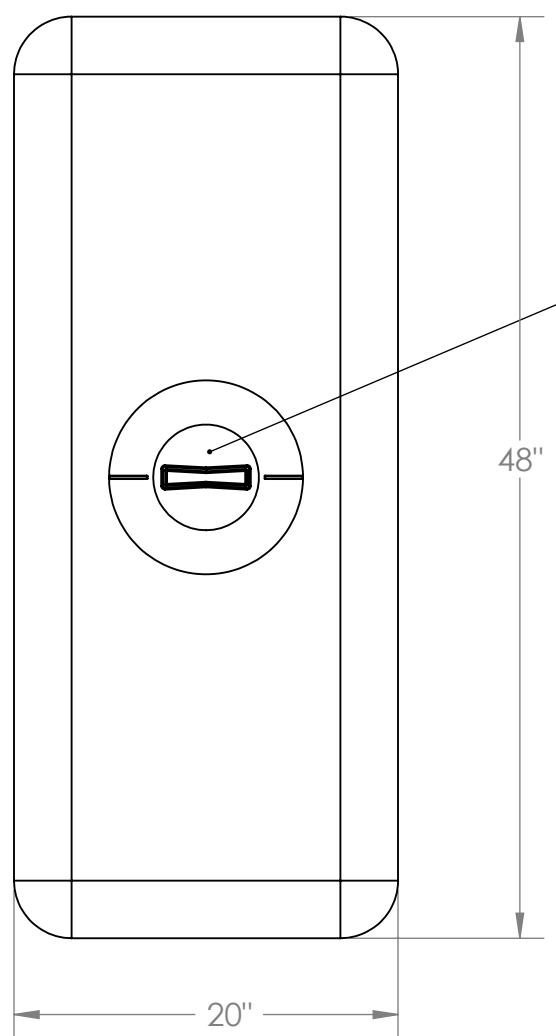
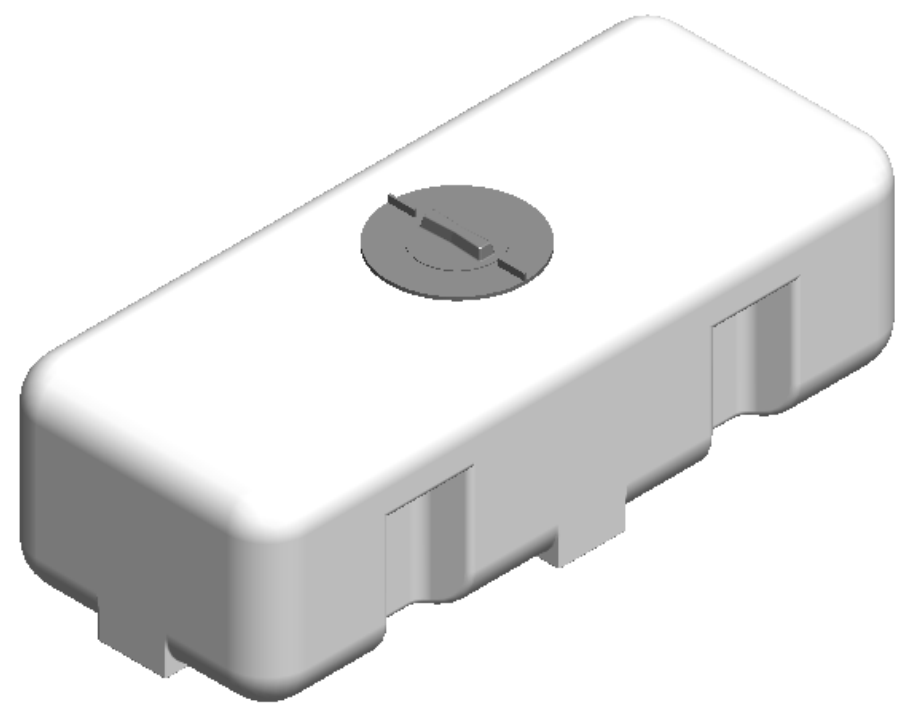


8 7 6 5 4 3 2 1

D
C
B
A

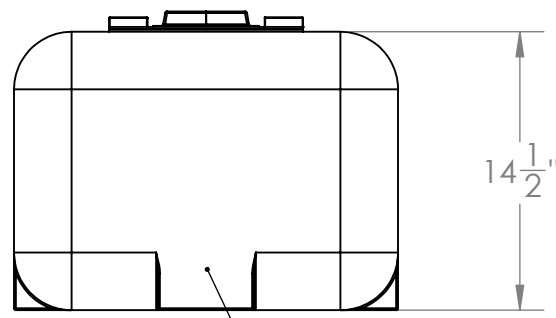


8" THREADED LID

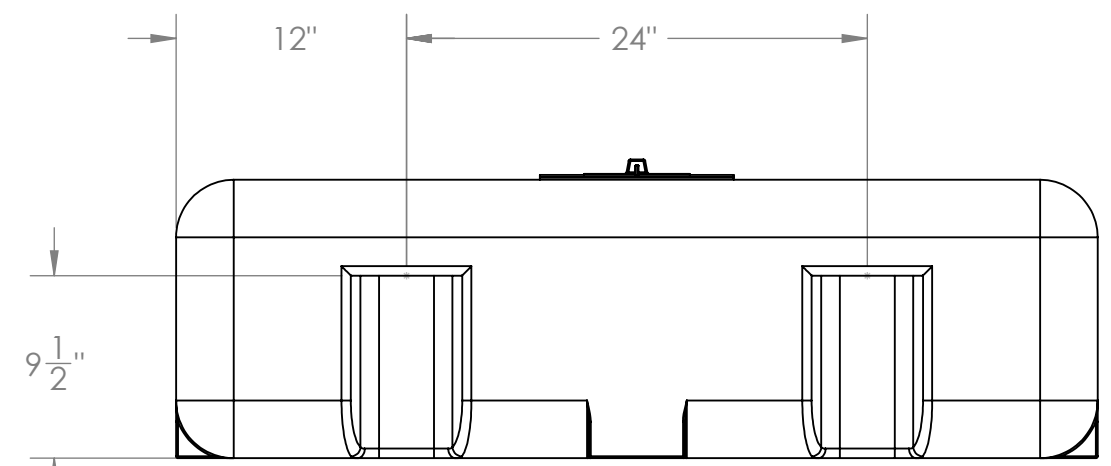


NOTES:

1. MATERIAL: POLYETHYLENE
2. CAPACITY: 50 GALLONS
3. WEIGHT: 25 LBS



FITTING LOCATIONS
(4) PLCS.



PROPRIETARY AND CONFIDENTIAL
THE INFORMATION CONTAINED IN THIS DRAWING IS THE SOLE PROPERTY OF <INSERT COMPANY NAME HERE>. ANY REPRODUCTION IN PART OR AS A WHOLE WITHOUT THE WRITTEN PERMISSION OF <INSERT COMPANY NAME HERE> IS PROHIBITED.

		UNLESS OTHERWISE SPECIFIED:		NAME	DATE	TANK FITTING TECHNOLOGIES	
		DIMENSIONS ARE IN INCHES		DRAWN	EBW	12-16-09	TITLE:
		TOLERANCES:		CHECKED			50 GALLON RECTANGULAR TANK
		FRACTIONAL ±		ENG APPR.			SIZE DWG. NO. REV
		ANGULAR: MACH ± BEND ±		MFG APPR.			B 50 RT
		TWO PLACE DECIMAL ±		Q.A.			SCALE: 1:20 WEIGHT: SHEET 1 OF 1
		THREE PLACE DECIMAL ±		COMMENTS:			
		INTERPRET GEOMETRIC TOLERANCING PER:					
		MATERIAL					
NEXT ASSY	USED ON	FINISH					
APPLICATION		DO NOT SCALE DRAWING					

8 7 6 5 4 3 2 1