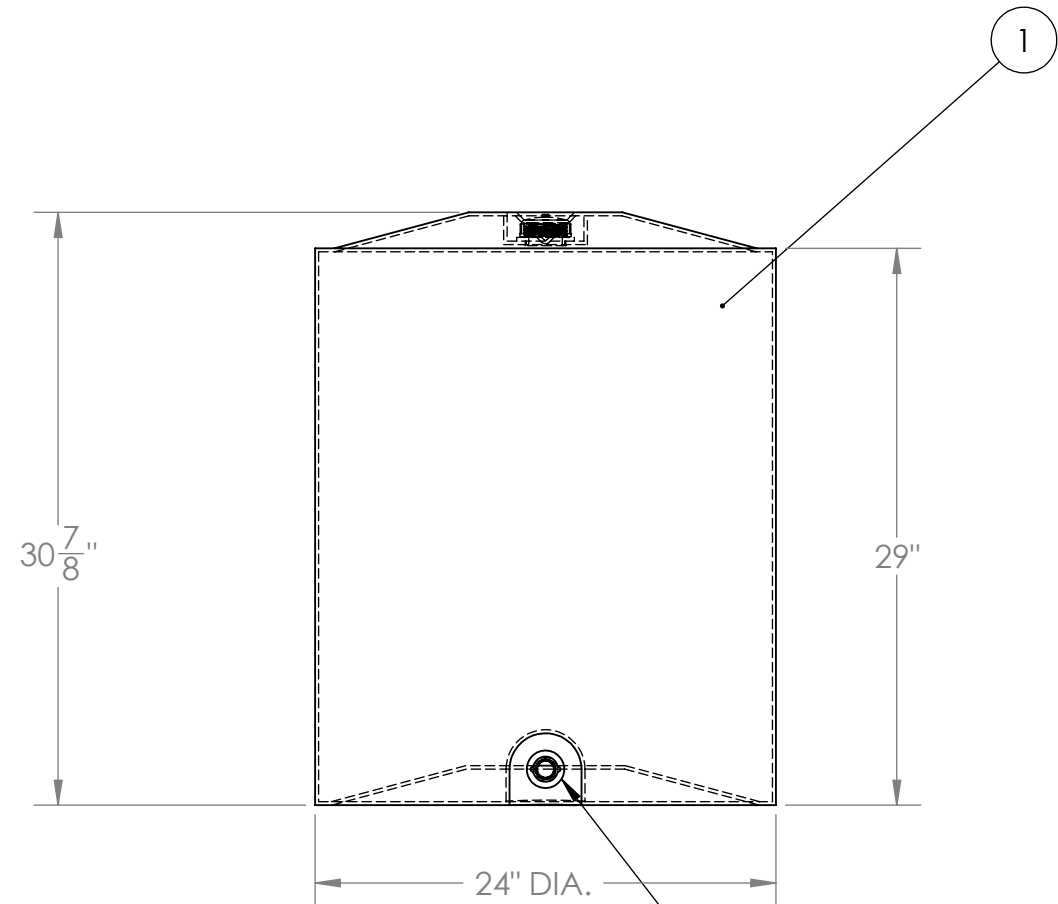
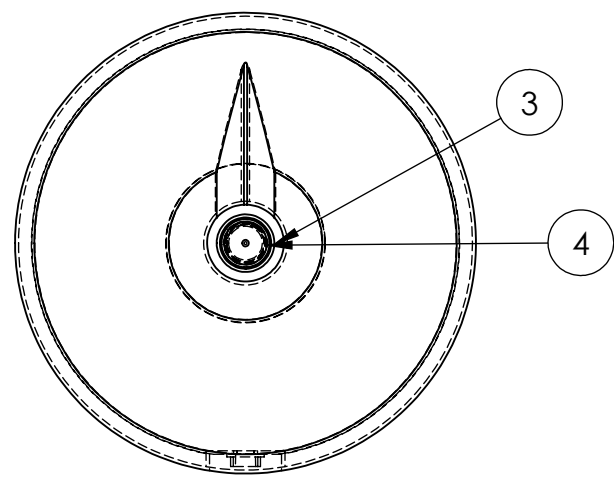


ITEM NO.	PART NUMBER	DESCRIPTION	QTY.
1	50 VT	50 GALLON WATER TANK	1
2	#74	3/4 NPT RAISED SPIN FITTING	1
3	# 20 D		1
4	#20 C		1



NOTES:

1. MATERIAL: POLYETHYLENE
2. WEIGHT: 16 LBS.
3. CAPACITY: 50 GALLONS.

PROPRIETARY AND CONFIDENTIAL
 THE INFORMATION CONTAINED IN THIS DRAWING IS THE SOLE PROPERTY OF <INSERT COMPANY NAME HERE>. ANY REPRODUCTION IN PART OR AS A WHOLE WITHOUT THE WRITTEN PERMISSION OF <INSERT COMPANY NAME HERE> IS PROHIBITED.

		UNLESS OTHERWISE SPECIFIED:	NAME	DATE	TANK FITTING TECHNOLOGIES
		DIMENSIONS ARE IN INCHES	DRAWN	EBW	
		TOLERANCES:	CHECKED		TITLE: 50 GALLON VERTICAL TANK
		FRACTIONAL ±	ENG APPR.		
		ANGULAR: MACH ± BEND ±	MFG APPR.		
		TWO PLACE DECIMAL ±	Q.A.		SIZE DWG. NO. REV B 50 VT.
		THREE PLACE DECIMAL ±	COMMENTS:		
NEXT ASSY	USED ON	MATERIAL			
APPLICATION		FINISH			
		DO NOT SCALE DRAWING	SCALE: 1:10 WEIGHT: SHEET 1 OF 1		