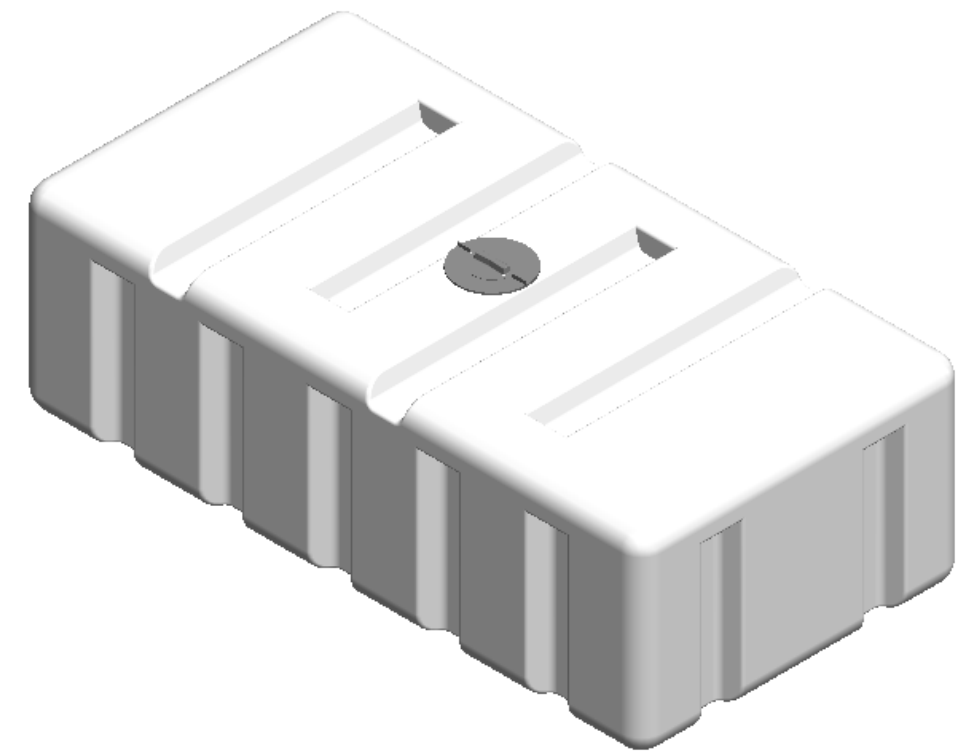
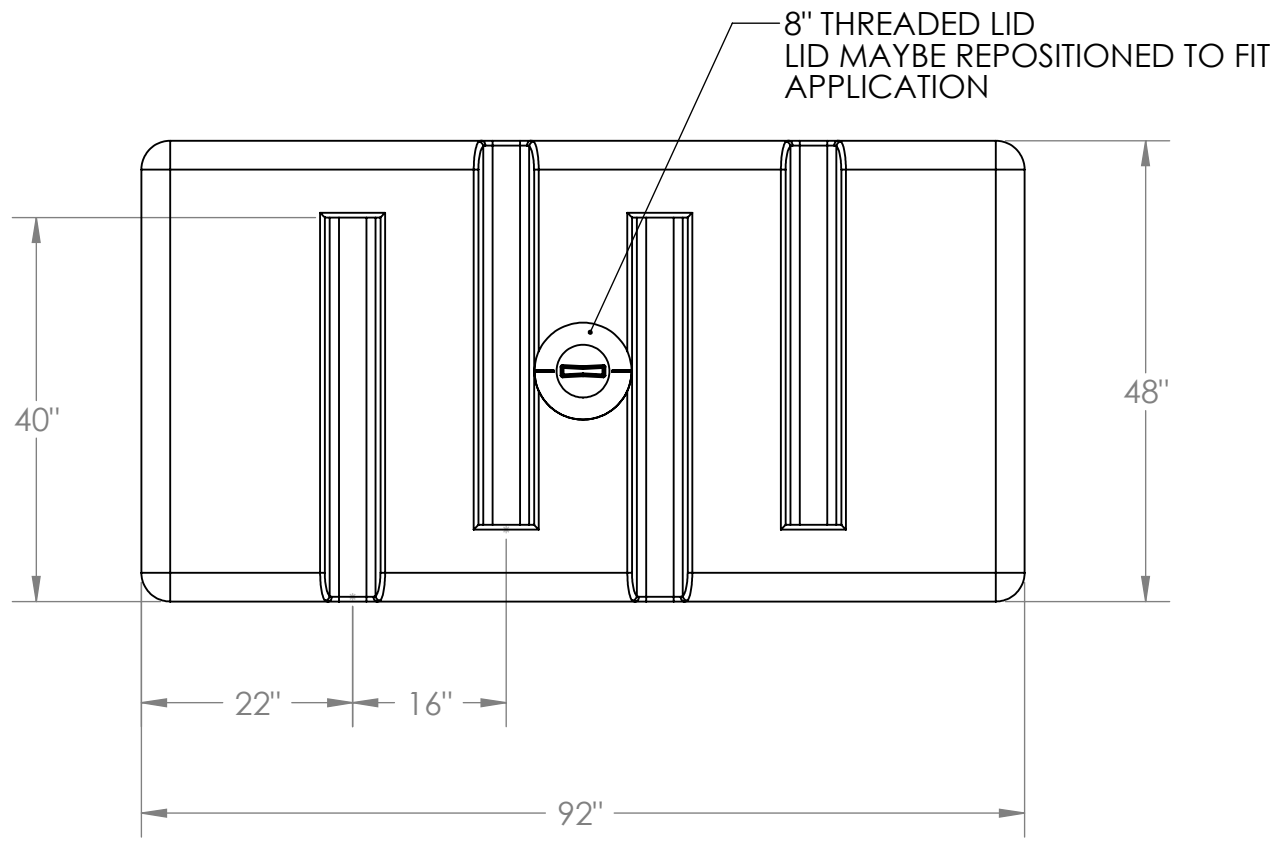


8 7 6 5 4 3 2 1

D

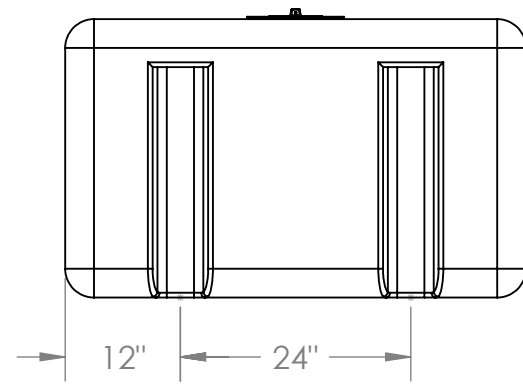
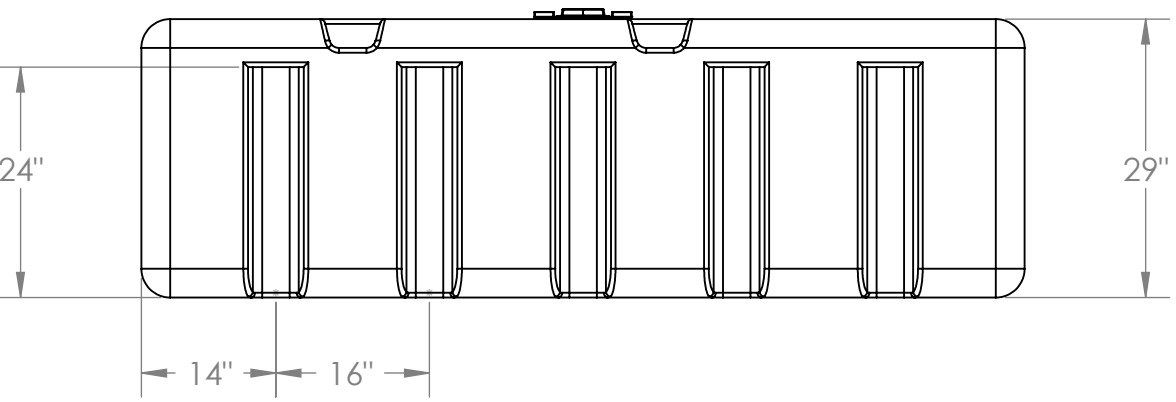


D

C

C

B



B

NOTES:

1. MATERIAL: POLYETHYLENE
2. CAPACITY: 500 GALLONS
3. WEIGHT: 185 LBS.

A

A

PROPRIETARY AND CONFIDENTIAL
THE INFORMATION CONTAINED IN THIS DRAWING IS THE SOLE PROPERTY OF <INSERT COMPANY NAME HERE>. ANY REPRODUCTION IN PART OR AS A WHOLE WITHOUT THE WRITTEN PERMISSION OF <INSERT COMPANY NAME HERE> IS PROHIBITED.

		UNLESS OTHERWISE SPECIFIED:		NAME	DATE	TANK FITTING TECHNOLOGIES TITLE: 500 GALLON RECTANGULAR TANK
		DIMENSIONS ARE IN INCHES	DRAWN	EBW	9-25-09	
		TOLERANCES:	CHECKED			
		FRACTIONAL ±	ENG APPR.			
		ANGULAR: MACH ± BEND ±	MFG APPR.			
		TWO PLACE DECIMAL ±	Q.A.			SIZE DWG. NO. REV
		THREE PLACE DECIMAL ±	COMMENTS:			B 500 RT
NEXT ASSY	USED ON	MATERIAL				SCALE: 1:20 WEIGHT: SHEET 1 OF 1
		FINISH				
APPLICATION		DO NOT SCALE DRAWING				

8 7 6 5 4 3 2 1