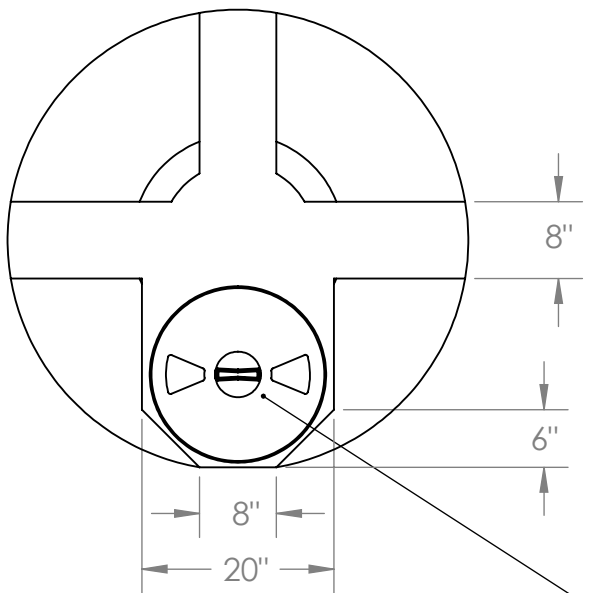
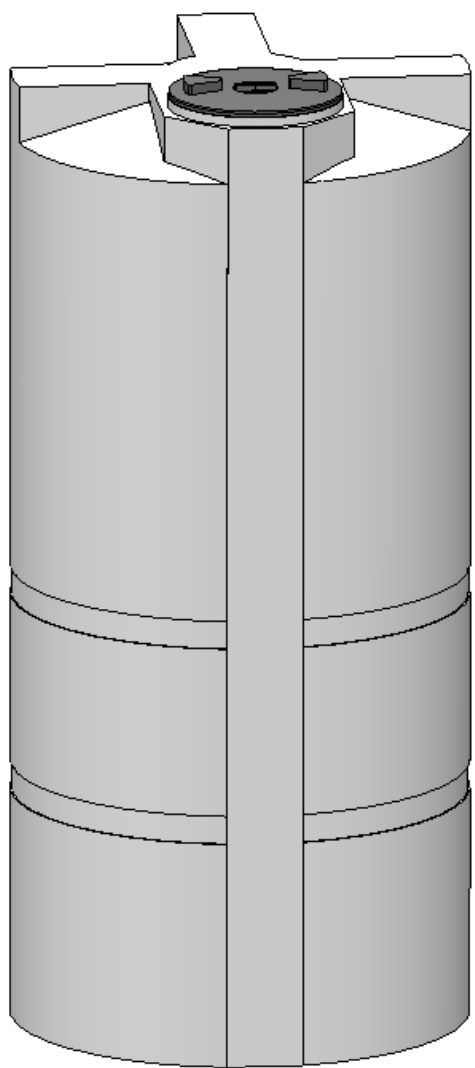


8 7 6 5 4 3 2 1

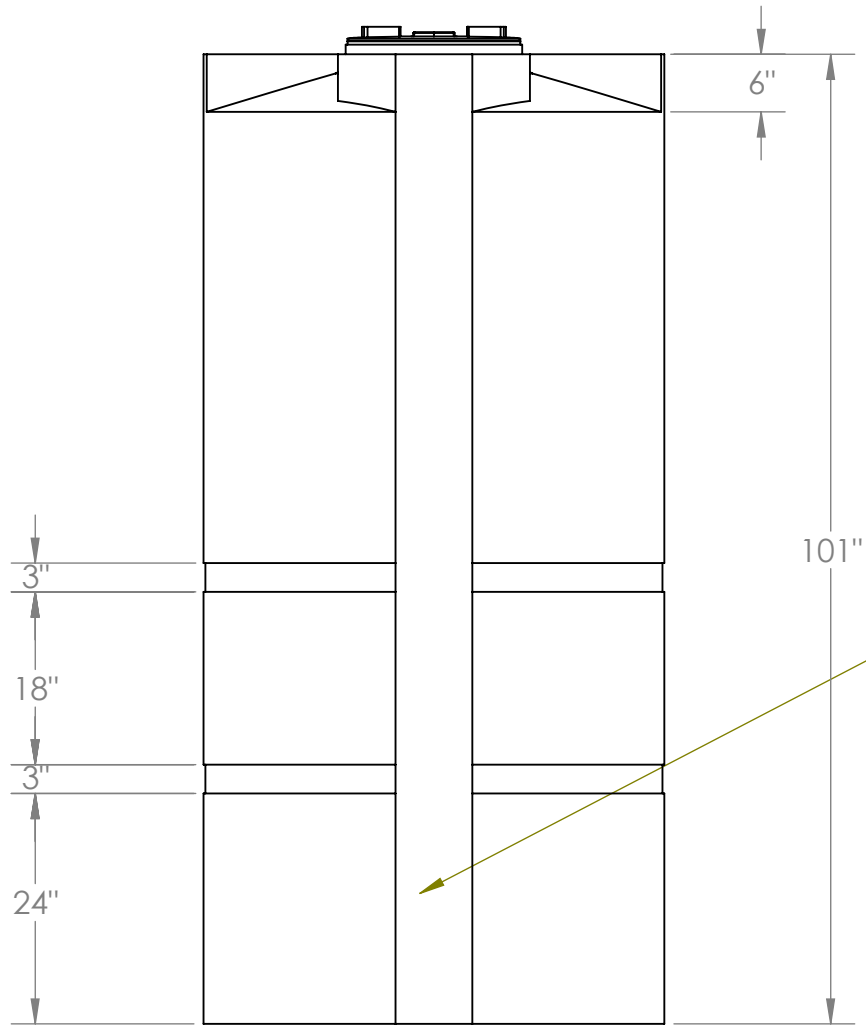
REVISIONS				
ZONE	REV.	DESCRIPTION	DATE	APPROVED
B-4	A	WEIGHT CHANGE	3-3-2010	EBW



16" THREADED LID  
W/4" BREATHER



D  
C  
B  
A



APPROX.  
GALLON MARKERS

- NOTES:
1. MATERIAL: POLYETHYLENE
  2. WEIGHT: 187 LBS.

**PROPRIETARY AND CONFIDENTIAL**  
THE INFORMATION CONTAINED IN THIS DRAWING IS THE SOLE PROPERTY OF <INSERT COMPANY NAME HERE>. ANY REPRODUCTION IN PART OR AS A WHOLE WITHOUT THE WRITTEN PERMISSION OF <INSERT COMPANY NAME HERE> IS PROHIBITED.

		UNLESS OTHERWISE SPECIFIED:		NAME	DATE	TANK FITTING TECHNOLOGIES		
		DIMENSIONS ARE IN INCHES		DRAWN	EBW	4-23-09		
		TOLERANCES:		CHECKED			TITLE:	
		FRACTIONAL ±		ENG APPR.			750 VT. W/16.0 LID	
		ANGULAR: MACH ± BEND ±		MFG APPR.				
		TWO PLACE DECIMAL ±		Q.A.				
		THREE PLACE DECIMAL ±		COMMENTS:				
		INTERPRET GEOMETRIC TOLERANCING PER:						
		MATERIAL						
		FINISH						
NEXT ASSY	USED ON					SIZE	DWG. NO.	REV
APPLICATION		DO NOT SCALE DRAWING				<b>B</b>	<b>750 VT</b>	<b>A</b>
						SCALE: 1:50 WEIGHT:		SHEET 1 OF 1

8 7 6 5 4 3 2 1