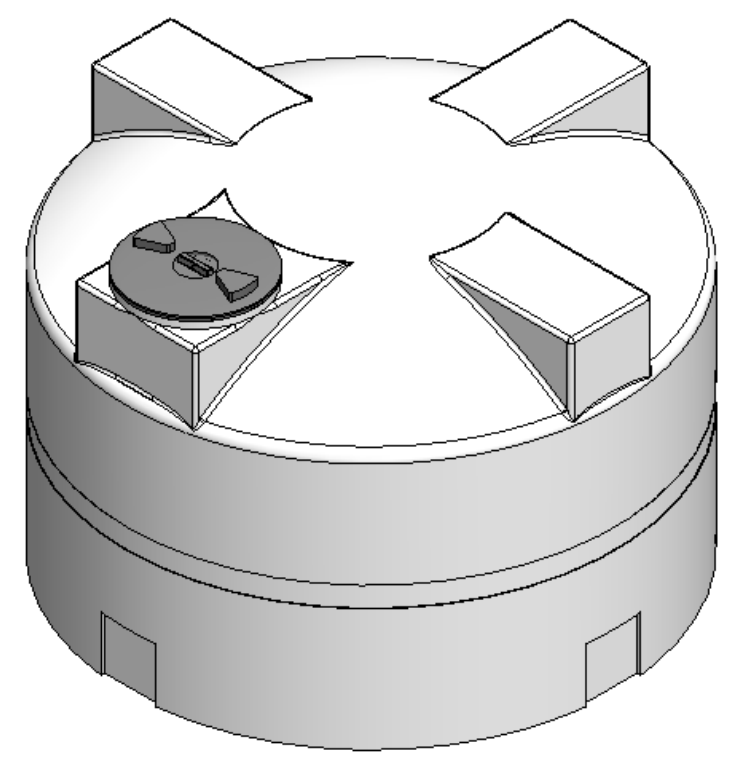
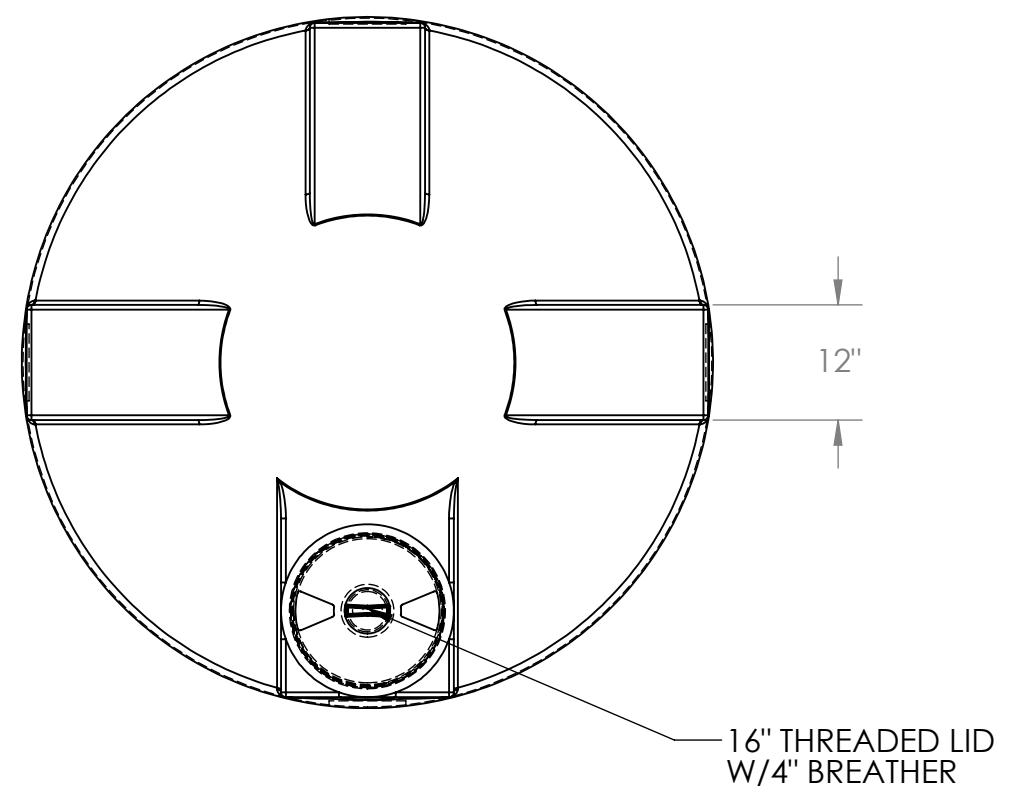


8 7 6 5 4 3 2 1

REVISIONS				
ZONE	REV.	DESCRIPTION	DATE	APPROVED
B-2	A	WEIGHT CHANGE	3-3-2010	EBW

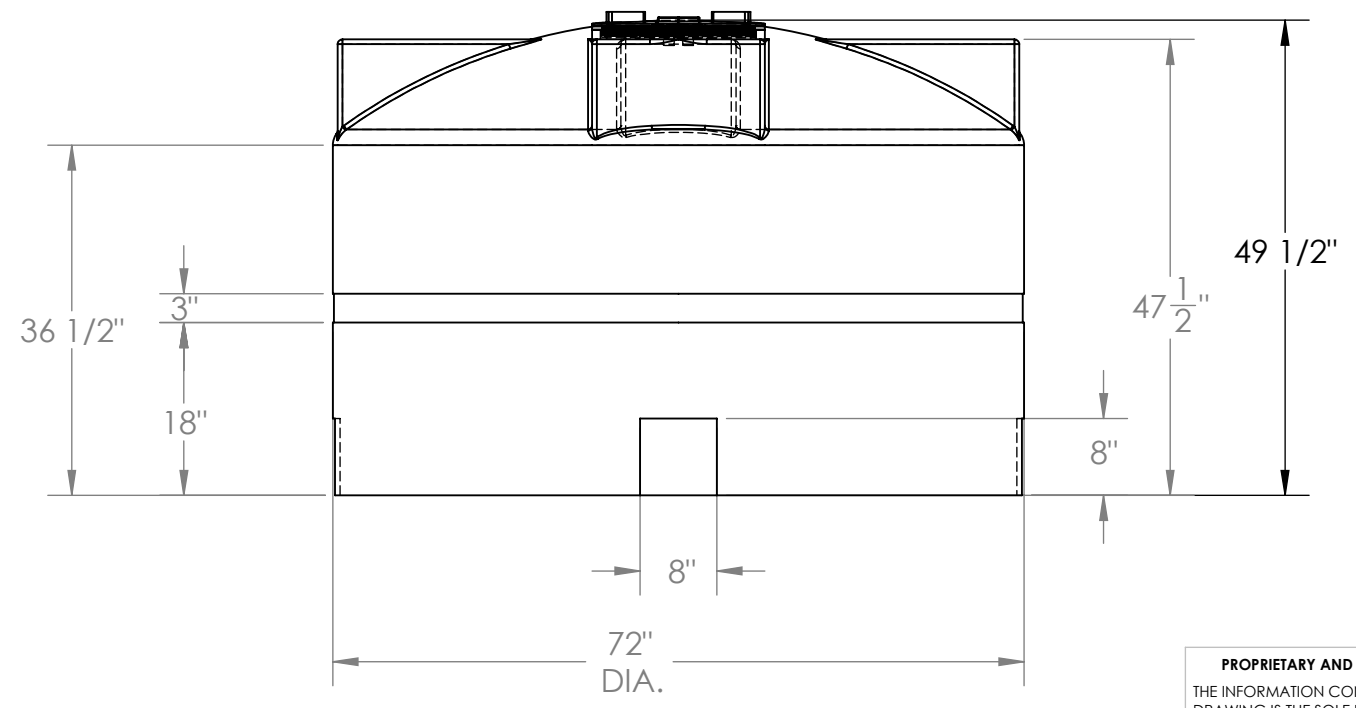
D
C
B
A



D
C
B
A

NOTES:

- MATERIAL: POYETHYLENE
- WEIGHT: 105 LBS. STD. RATED 1.5 S.G.
140 LBS. HD. RATED 2.0 S.G.



PROPRIETARY AND CONFIDENTIAL
THE INFORMATION CONTAINED IN THIS DRAWING IS THE SOLE PROPERTY OF <INSERT COMPANY NAME HERE>. ANY REPRODUCTION IN PART OR AS A WHOLE WITHOUT THE WRITTEN PERMISSION OF <INSERT COMPANY NAME HERE> IS PROHIBITED.

UNLESS OTHERWISE SPECIFIED:		NAME	DATE	TANK FITTING TECHNOLOGIES
DIMENSIONS ARE IN INCHES		DRAWN	EBW	
TOLERANCES:		CHECKED		TITLE:
FRACTIONAL ±		ENG APPR.		750 VERTICAL TANK - SHORT
ANGULAR: MACH ± BEND ±		MFG APPR.		
TWO PLACE DECIMAL ±		Q.A.		SIZE
THREE PLACE DECIMAL ±		COMMENTS:		DWG. NO.
INTERPRET GEOMETRIC TOLERANCING PER:				750 VTS
MATERIAL				REV
FINISH				A
NEXT ASSY	USED ON			SCALE: 1:50
APPLICATION	DO NOT SCALE DRAWING			WEIGHT:
				SHEET 1 OF 1

8 7 6 5 4 3 2 1